

LOCAL AREA NETWORK

Dual Speed Hub

DS-1603 16-Port 10/100 Dual Speed Hub with 3 NWay Switch Port

The Ultra Plus 10/100 Dual Speed Hub provides a smooth and affordable way to boost the shared Ethernet workgroups from 10Mbps to 100Mbps technology. It is a hybrid of 16-port 10/100Mbps hub with an NWay switch port for uplink. The hub's 16 10/100 auto-sensing ports ensure to automatically match and run at the maximum allowable speed. An internal two-port bridge in the Ultra Plus Dual Speed Hub automatically provides connectivity between 10 and 100Mbps segments. The switch port is used for hub cascading. It breaks up the collision domain and guarantees the uplink distance is allowed up to 100 meters. The NWay switch port automatically negotiates between 10Base-T and 100Base-TX network speeds, and between Full and Half-Duplex modes.

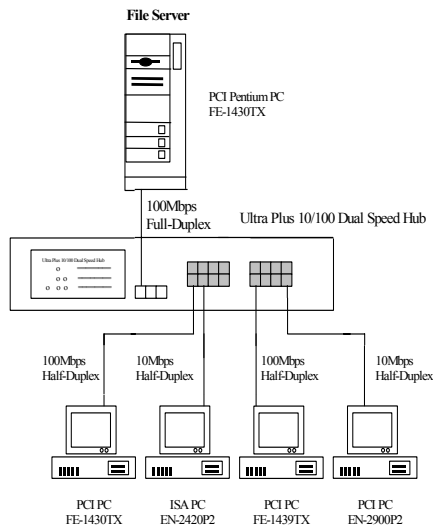
Two models of Ultra Plus Dual Speed Hub are available : DS-1601 and DS-1603. DS-1601 features one NWay switch port while DS-1603 features three NWay ports.



DS-1603

Technical Specifications

- **Standard:** IEEE802.3u, 10/100Base-TX hub and switch hub standards
- **Network Interface:**
 - 10/100TX 16 ports :
 - Transmission Mode: 10 or 100Mbps at Half-duplex
 - Cable length limitations for 10/100TX port
 - Node to Hub: 100m
 - Hub to Hub: 5m (Class II hub is up to two levels)
- **Switch port(s) :**
 - Transmission Mode: 10/100Mbps, Full/Half duplex
 - 148,800 packets/sec full wire rate on 100Mbps forwarding and filtering
 - 14,880 packets/sec full wire rate on 10Mbps forwarding and filtering
 - 8K MAC Address and Self-learning mechanism
 - 1MB Buffer Memory
 - Cable length limitations for switch port(s)
 - Node to Hub: 100m
 - Hub to Hub: 100m
- **Connector Type :**
 - 10/100TX: RJ-45 STP jack
 - 'MPR' RJ-45 jack is used for uplinking to other hubs (MPR port has NWay switch function)
 - One MII connector (Port A option) for DS-1603 on the rear panel
- **Cable Type:** 10/100TX - Category 5 UTP cable
- **Diagnostic LEDs:**
 - Power LED for hub
 - Link/TX, 100/RX and Fdx/Col LED for switch port(s)
 - Link, Activity and 100 speed LED for each 10/100 port
 - Collision LED for 10Mbps and 100Mbps segments
- **Power Requirement:** AC Line
 - Voltage: 100~ 240V
 - Current: 5.0/2.5A
 - Frequency: 50~60Hz
- **Ambient Temperature:** 0° to 50°C
- **Humidity:** 5% to 90%
- **Dimensions:** 45mm(H) x 442mm(W) x 170mm (D)
- **Complies with FCC Part 15 Class A & CE Mark**



RUBY TECH CORPORATION

NETWORKING & COMMUNICATIONS

2F., No.7, Lane 50, Nan Kang Road, Section 3, Taipei, Taiwan, R.O.C.

Tel: 886-2-27853961 Fax: 886-2-27863012, 886-2-26516636

Home page address: <http://www.rubytech.com.tw>

E-mail address: rubytech@mail.rubytech.com.tw