



OLT-E201:

2-Port GbE TP/SFP Combo to 1-Port GEPON OLT Converter

Key Features

Hardware Features

- 9" 1u high rack and wall mountable
- Supports 2 GbE TP/SFP combo ports and 1 GEPON OLT port (Downstream: 2.5Gbps, Upstream: 1.25Gbps)
- Supports 1 RJ-45 RS-232 interface for console and 1 Ethernet port for management
- Dual power inputs design
 - AC: 100 240V
 - DC: 12V
- Up to 20km single mode optic fiber coverage
- Handles up to 32 ONUs

Management Features

- Management via CLI, browser, telnet and SNMP v1/v2c/v3
- IEEE802.3ah OAM functions for CO and CPE sites
 - remote failure indication, remote loopback, and link monitoring.
- Port configuration, bandwidth configuration, remote monitoring and control functions
- CO site interface ingress/egress bandwidth rating management
- MIB II, Enterprise MIB and SNMP Traps with SNMP v1, v2c and v3
- SNMP MIB OID for multiple CPE devices
 - port configuration, port counter, CO/CPE fiber link loopbacktest, link failure trap event
- RMON 1, 2, 3, 9 groups
- Access Control List
- Network time sync with NTP and daylight saving
- Domain name address for NTP server and e-mail server setting
- Device name and location configurable function
- Up to 6 trap/alarm hosts to receive the traps and alarm messages via e-mail
- DHCP client for dynamic IP assignment
- IP v4 and IP v6 management
- Two level user authority
 - Administrator and Guest
- Syslog to backup the trap log data
- Firmware upgrade, configuration data import/export and log data export via TFTP
- Diagnostic ping to test an alive network device
- Auto logout function
- Automatically scans and records ID information from subscriber systems
- Assurance of security for subscribers
 - Encryption in the PON layer assures security between subscribers

Overview

9-inch and 1u height pizza box casing design, OLT-E201, GEPON Optical Line Terminator (OLT), is specially designed for smaller scale point to multipoint FTTx applications. Equipped with two gigabit Ethernet combo (TP/SFP) ports, one GEPON OLT port, this device at the central office can offer up to 2 gigabit bandwidth for data to flow through fiber cable and GEPON splitters to the remote ONU clusters. It supports maximum 20km fiber coverage and high split ratio at 1:32.

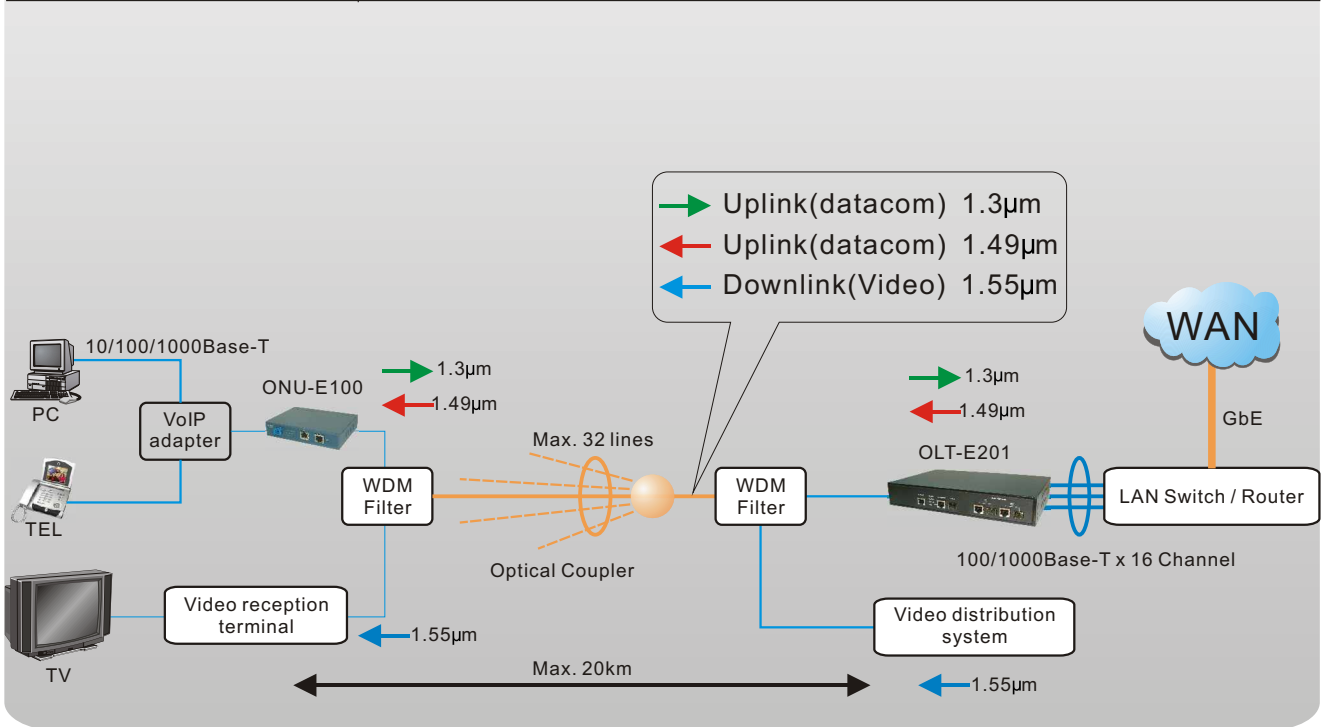
With RS-232 console and Ethernet management port, system manager can manage OLT-E201 via CLI, browser, telnet and SNMPv1/v2c/v3. It also supports IEEE802.3ah OAM functions for CO and CPE sites, such as, Remote Failure Indication, Remote Loopback, and Link Monitoring. Port Configuration and Bandwidth Configuration functions are provided as well.

Technical Specifications

- **Capacity:** 1-port GEPON OLT
- **Management:** SNMP and web-base via inband LAN port
CLI via local RS-232 port
- **Power Input:** AC: 100 -240V 50/60Hz
DC: 12V
- **Ambient Temperature:** 0 to 50°C
- **Humidity:** 5% to 90%
- **Dimensions:** 44(H) x 220(W) x 130.5(D) mm
- **Complies with FCC part 15 Class A & CE Mark**

Ordering Information

Model	Description
OLT-E201BS4.S20	2-Port GbE TP/SFP Combo to 1-Port GEPON OLT Converter
ONU-E100BS3.S20	2-Port GbE/FE to GEPON ONU Converter



Ruby Tech Corp.

3F, No.1, Lane 50, Nan Kang Road, Sec.3, Taipei, Taiwan
 TEL:886-2-2785-3961 FAX:886-2-2786-3012

<http://www.rubyttech.com.tw>
 E-mail : rubyttech@mail.rubyttech.com.tw